

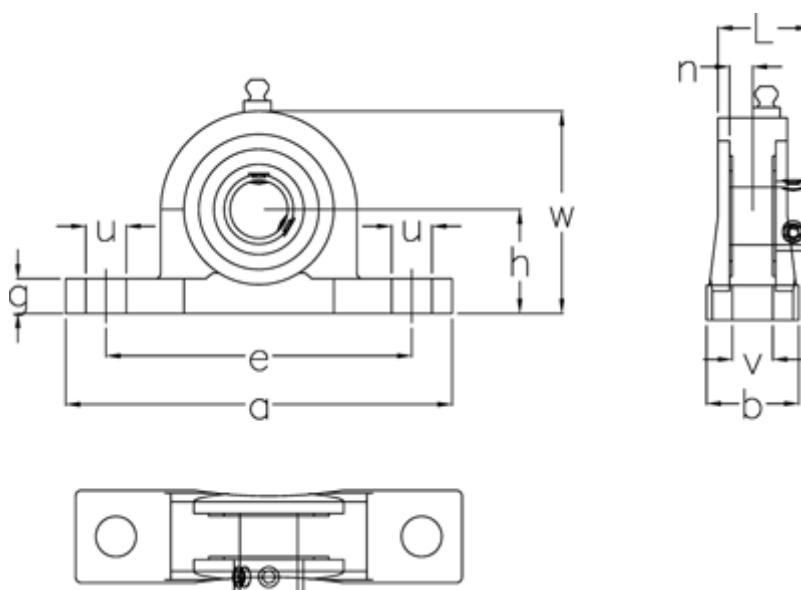
Data Sheet



Article number: 54810022103

Description: Pillow block SS UCP210 LDK f/shaft dia.50 mm
All stainless, polished

Measures



a	= 206	L	= 581.6
b	= 60	Nominal drive	= 19
Bearing	= SUC210	u	= 25
Bolt size	= M16	v	= 20
e	= 159	w	= 112
g	= 21	Weight	= 2.36
h	= 57.2		
Housing	= SP210		